

Stahlkugelhahn Baureihe ARTSKH3I

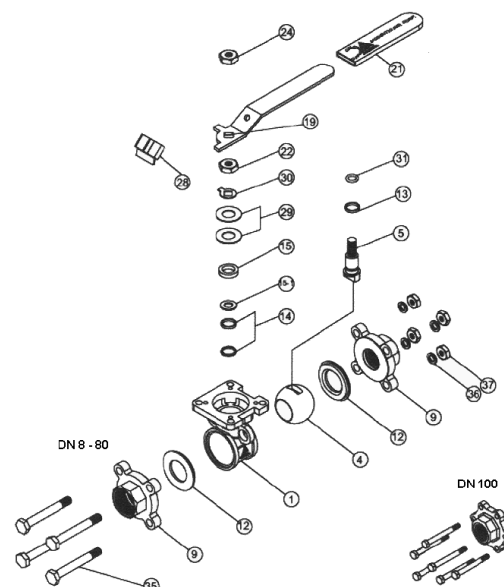
3-teilig mit Innengewinde und Montageflansch ISO 5211

- Size:** DN8 to DN100 (NPS 1/4" to 4")
- Connection:** BSP
- Min Temperature:** -20°C
- Max Temperature:** +220°C
- Max Pressure:** 63 Bars up to DN50, then 40 Bars
- Specifications:** ATEX
 - ISO 5211 direct mounting pad
 - Anti blow-out stem, full bore
 - Fugitive emissions TA LUFT
 - PTFE filled with stainless steel seat



Materials: Carbon steel EN 1.0619

| Item | Designation | Materials |
|-------|------------------|------------------------|
| 1 | Body | EN 1.0619 |
| 4 | Ball | ASTM A351 CF8M |
| 5 | Stem | AISI 316 |
| 9 | Ends | EN 1.0619 |
| 12* | Seat | PTFE with 50% AISI 316 |
| 13* | Thrust washer | PTFE with 25% grafoil |
| 14* | Stem packing | PTFE with 25% grafoil |
| 15-1* | Packing Follower | PTFE with 15% grafoil |
| 15 | Gland bush | AISI 304 |
| 19 | Handle | |
| 21 | Handle cover | Plastic |
| 22 | Stem nut | AISI 304 |
| 24 | Handle nut | |
| 28 | Locking device | |
| 29 | Elastic washer | AISI 301 |
| 30 | Tab washer | AISI 304 |
| 31* | O-ring | FKM |
| 35 | Body bolt | AISI 304 |
| 36 | Bolt washer | |
| 37 | Bolt nut | |



TORQUE VALUES (in Nm without safety coefficient):

| DN (mm) | 8 | 10 | 15 | 20 | 25 | 32 | 40 | 50 | 65 | 80 | 100 |
|-------------|------|------|------|------|----|--------|--------|----|--------|----|-----|
| NPS (") | 1/4" | 3/8" | 1/2" | 3/4" | 1" | 1 1/4" | 1 1/2" | 2" | 2 1/2" | 3" | 4" |
| Torque (Nm) | 7.6 | 7.6 | 7.6 | 14.5 | 21 | 25 | 35 | 60 | 80 | 88 | 190 |

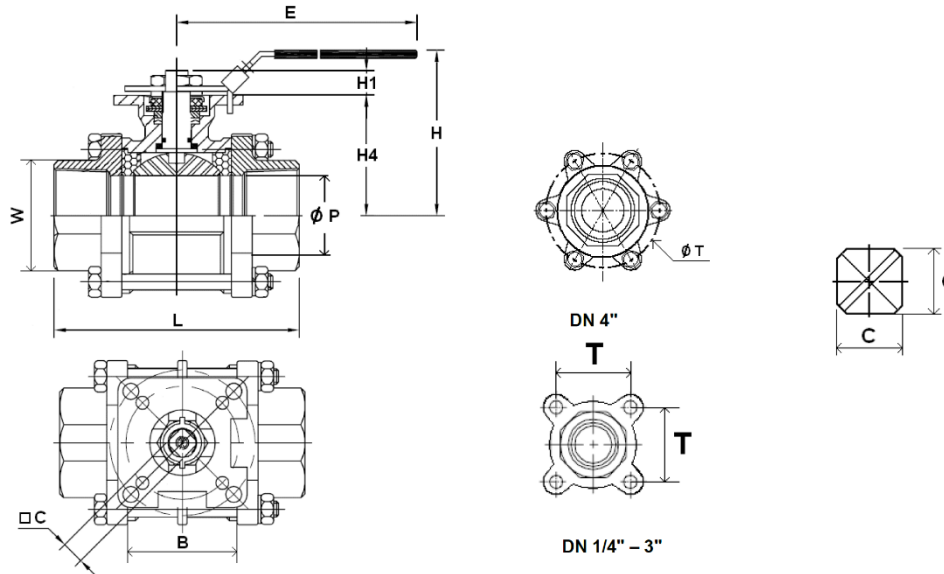
BOLT TIGHTENING TABLE (in Nm):

| DN (mm) | 8 | 10 | 15 | 20 | 25 | 32 | 40 | 50 | 65 | 80 | 100 |
|-------------|------|------|------|------|-----|--------|--------|------|--------|------|------|
| NPS (") | 1/4" | 3/8" | 1/2" | 3/4" | 1" | 1 1/4" | 1 1/2" | 2" | 2 1/2" | 3" | 4" |
| Torque (Nm) | 6.9 | 6.9 | 6.9 | 9.8 | 9.8 | 11.8 | 15.7 | 20.6 | 54.9 | 73.5 | 94.1 |

LOW COEFFICIENT Kvs (M3/h):

| DN (mm) | 8 | 10 | 15 | 20 | 25 | 32 | 40 | 50 | 65 | 80 | 100 |
|------------|------|------|------|------|------|--------|--------|-------|--------|------|------|
| NPS (") | 1/4" | 3/8" | 1/2" | 3/4" | 1" | 1 1/4" | 1 1/2" | 2" | 2 1/2" | 3" | 4" |
| Kvs (m3/h) | 17.2 | 21 | 31.3 | 57.9 | 94.3 | 157.9 | 227.9 | 414.8 | 720.2 | 1091 | 1754 |

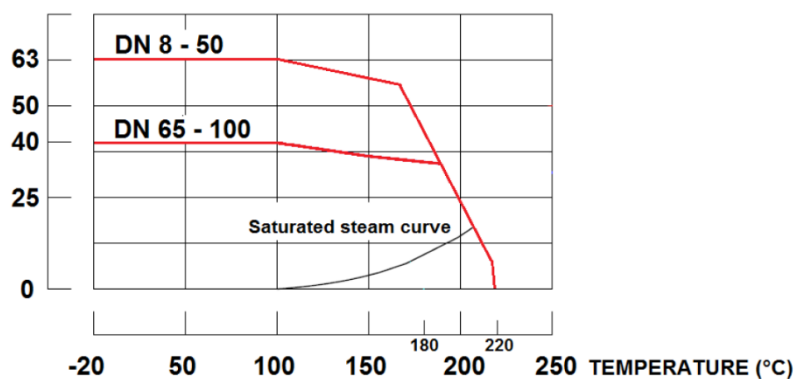
Stahlkugelhahn Baureihe ARTSKH3I



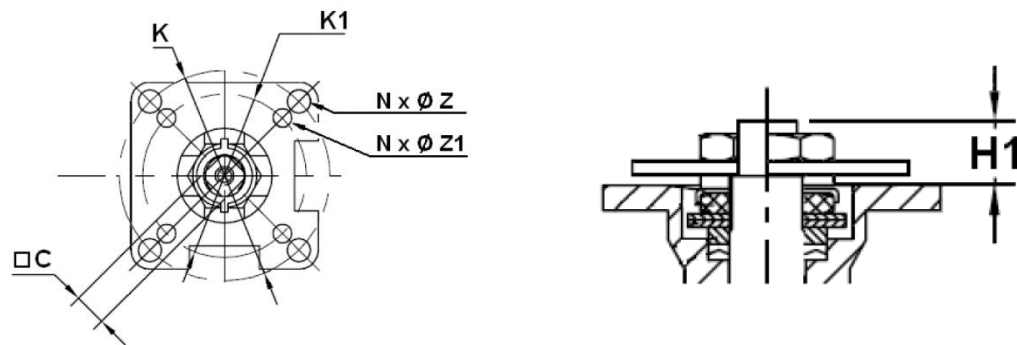
| DN (mm) | 8 | 10 | 15 | 20 | 25 | 32 | 40 | 50 | 65 | 80 | 100 |
|----------------|--------|--------|--------|--------|--------|--------|--------|--------|--------|--------|--------|
| NPS (") | 1/4" | 3/8" | 1/2" | 3/4" | 1" | 1 1/4" | 1 1/2" | 2" | 2 1/2" | 3" | 4" |
| Ø P | 11.5 | 12.5 | 15 | 20 | 25 | 32 | 38 | 50 | 65 | 80 | 100 |
| L | 63.5 | 63.5 | 63.5 | 72.5 | 81 | 94.5 | 108 | 121.5 | 157.5 | 190 | 225 |
| B | 22.5 | 22.5 | 22.5 | 27.5 | 34 | 42.5 | 52 | 63.5 | 85.5 | 102 | 128.5 |
| E | 112 | 112 | 112 | 112 | 136 | 185 | 197.9 | 197.9 | 267 | 267 | 322 |
| H | 73 | 73 | 73 | 80.8 | 90.5 | 98.7 | 115.3 | 124 | 155 | 164.5 | 216.7 |
| H1 | 8.5 | 8.5 | 8.5 | 8.5 | 9.5 | 9.5 | 14 | 13.7 | 18 | 18 | 18 |
| H4 | 37 | 37 | 37 | 45 | 53.5 | 59 | 74.8 | 83.5 | 108.8 | 118.3 | 153.8 |
| C | 9 | 9 | 9 | 9 | 9 | 9 | 14 | 14 | 17 | 17 | 17 |
| T | 31 | 31 | 31 | 35 | 41 | 49 | 59 | 71 | 91 | 107 | 195 |
| W (on flat) | 28 | 28 | 28 | 34 | 42 | 50 | 58 | 70 | 88 | 103 | 128 |
| Weight (in Kg) | 0.64 | 0.62 | 0.58 | 0.75 | 1.03 | 1.62 | 2.5 | 3.7 | 7.8 | 11.3 | 22 |
| Ref. | 737002 | 737003 | 737004 | 737005 | 737006 | 737007 | 737008 | 737009 | 737010 | 737011 | 737012 |

PRESSURE / TEMPERATURE GRAPH :

Pressure (Bar)



Stahlkugelhahn Baureihe ARTSKH3I



| DN (mm) | 8 | 10 | 15 | 20 | 25 | 32 | 40 | 50 | 65 | 80 | 100 |
|----------|-------|-------|-------|-------|-------|-------|-------|-------|--------|--------|--------|
| NPS (") | 1/4" | 3/8" | 1/2" | 3/4" | 1" | 1"1/4 | 1"1/2 | 2" | 2"1/2 | 3" | 4" |
| C | 9 | 9 | 9 | 9 | 9 | 9 | 14 | 14 | 17 | 17 | 17 |
| H1 | 8.5 | 8.5 | 8.5 | 8.5 | 9.5 | 9.5 | 14 | 13.7 | 18 | 18 | 18 |
| Ø K | 50 | 50 | 50 | 50 | 50 | 50 | 70 | 70 | 102 | 102 | 102 |
| ISO | F05 | F05 | F05 | F05 | F05 | F05 | F07 | F07 | F10 | F10 | F10 |
| N x Ø Z | 4 x 7 | 4 x 7 | 4 x 7 | 4 x 7 | 4 x 7 | 4 x 7 | 4 x 9 | 4 x 9 | 4 x 11 | 4 x 11 | 4 x 11 |
| Ø K1 | 36 | 36 | 36 | 36 | 36 | 36 | 50 | 50 | 70 | 70 | 70 |
| ISO 1 | F03 | F03 | F03 | F03 | F03 | F03 | F05 | F05 | F07 | F07 | F07 |
| N x Ø Z1 | 4 x 6 | 4 x 6 | 4 x 6 | 4 x 6 | 4 x 6 | 4 x 6 | 4 x 7 | 4 x 7 | 4 x 9 | 4 x 9 | 4 x 9 |