

Flansch-Stahlkugelhahn Baureihe ARTSKH3F1

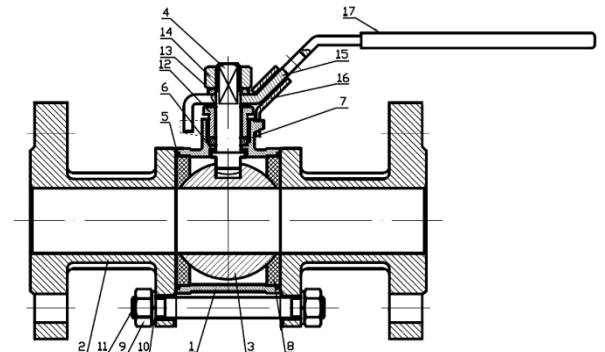
3-teilig

Size : DN15 to DN100
Connection : Flanged PN40 RF
Min Temperature : -20°C
Max Temperature : +180°C
Max Pressure : 40 bars
Specifications : 3 pieces type
 PTFE filled with 15% glass seat
 Anti blow-out stem
 Full bore



Materials : Carbon Steel ASTM A216 WCB

Item	Designation	Materials	
1	Body	ASTM A216 WCB	
2	Ends		
3	Ball	AISI 304	
4	Stem		
5*	Body gasket	PTFE	
6*	Stem gasket		
7*	Packing	PTFE filled with 15% glass fiber	
8*	Seat		
9	Nut	AISI 304	
10	Washer		
11	Stud		
12	Packing nut		
13	Washer		
14	Handle nut		
15	Handle		
16	Locking device		
17	Handle cover		Plastic



TORQUE VALUES (in Nm without safety coefficient) :

DN	15	20	25	32	40	50	65	80	100
Torque (Nm)	2.5	3.5	6	7	12	16	40	50	70

BOLT TIGHTENING TABLE (In Nm) :

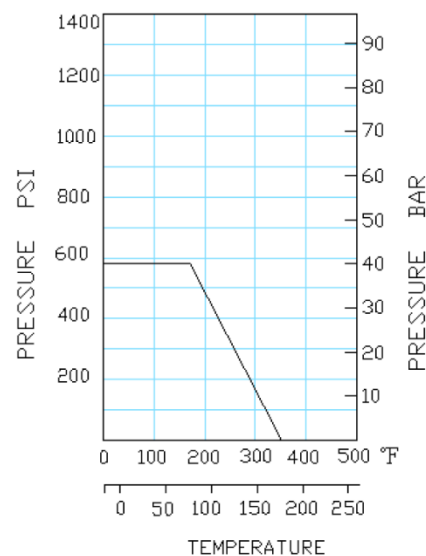
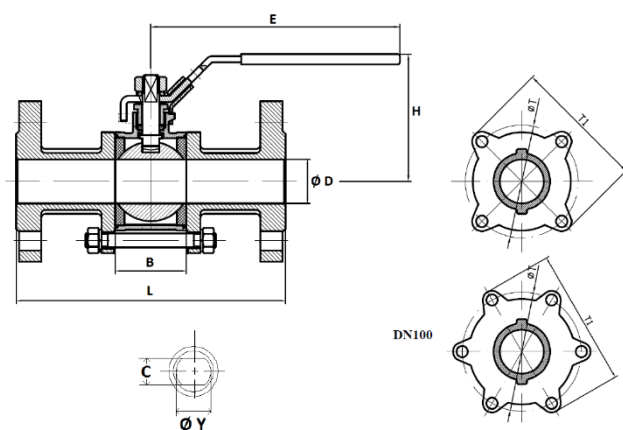
DN	15	20	25	32	40	50	65	80	100
Torque (Nm)	15	18	20	20	28	28	35	45	65

FLOW COEFFICIENT Kvs (in m³ / h) :

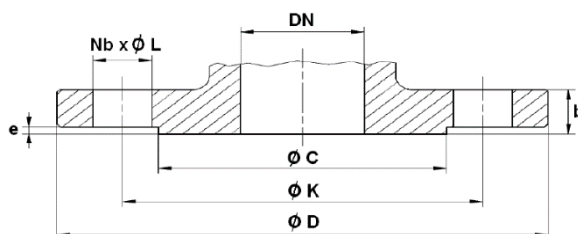
DN	15	20	25	32	40	50	65	80	100
Kvs (m ³ / h)	20.7	30.2	40.6	70	90.8	208.4	275.9	501.6	865

Flansch-Stahlkugelhahn Baureihe ARTSKH3F1

PRESSURE / TEMPERATURE GRAPH (STEAM EXCLUDED) :



DN	15	20	25	32	40	50	65	80	100
Ø D	15	20	25	32	38	50	64	76	100
L	130	150	160	180	200	230	290	310	350
B	23.3	28.6	34	44	51	63	84.3	94.7	119.2
E	129	129	143	143	170	170	254	254	320
H	77	82	92	98	109	120	142	152	176
C	5	5	6.5	6.5	8.5	8.5	9.8	9.8	16
Ø Y	M8	M8	M10	M10	M12	M12	M14	M14	M20
Ø T	43	51.5	58	70	81.5	101	136	157	195.5
T1	57.5	66	74.5	86.5	100.5	121.5	161	185	226.5
Weight (in Kg)	1.9	2.78	3.51	5.17	6.4	9.22	14.13	20.6	30.71
Ref.	730015	730020	730025	730032	730040	730050	730065	730080	730100



DN	15	20	25	32	40	50	65	80	100
Ø C	45	58	68	78	88	102	122	138	162
Ø D	95	105	115	140	150	165	185	200	235
Ø K	65	75	85	100	110	125	145	160	190
Nb x Ø L	4 x 14	4 x 14	4 x 14	4 x 18	4 x 18	4 x 18	8 x 18	8 x 18	8 x 22
b	16	18	18	18	18	20	22	24	24
e	2	2	2	2	2	3	3	3	3